

Helpful advice before you begin: Please read carefully

- PLEASE READ THE INSTRUCTIONS THOROUGHLY BEFORE YOU COMMENCE ASSEMBLY - follow the simple step by step instructions in the correct sequence.
- Please check all components listed, are counted and corresponding to the required parts for building this product before assembling.
- This product requires 2 people to assemble this product safely to prevent parts being damaged or injury to any person.
- NEVER USE A POWER TOOL TO ASSEMBLE.
- Do not discard any packaging until you have checked that you have all the parts and all the fittings.
- To ensure your product is not damaged during assembly, prepare a suitable area to build your furniture, either assemble on a clean soft surface or use the box that the products have been supplied in. This will prevent your product from damage and scratching during the building process.
- To begin the assembly follow the diagrams in order sequence as directed to ensure the correct method is followed for correct installation of each components.
- DO NOT tighten any bolts until all parts have been connected loosely with all bolts inserted into position, once all parts are connected then each bolt can be fully tightened using the tools provided.
- Do not use any other tools other than those recommended to build this product.
- Keep parts, fittings and packaging away from children.
- In the unlikely event this product has missing or damaged parts, please email our customer service department help@supremouk.com

For Your Safety

- This product may only be used for its intended purpose as furniture for residential properties.
- Check all components regularly for correct function, damaged and loose connections especially at the start of the season and at 1-2 months intervals dependent on use.
- Damaged components may endanger your safety or affect the quality of the product. Replace all damaged parts immediately. Use only spare parts provided by Supremo Leisure. Should you wish to purchase spare parts, please contact help@supremouk.com
- Supremo Leisure will not be responsible for damage caused by improper use.

IMPORTANT

PLEASE KEEP THIS BOOKLET
FOR FUTURE REFERENCE.
CONTAINS IMPORTANT
INFORMATION
REGARDING THE CARE AND
USE OF YOUR SUPREMO
PRODUCT



supremo®

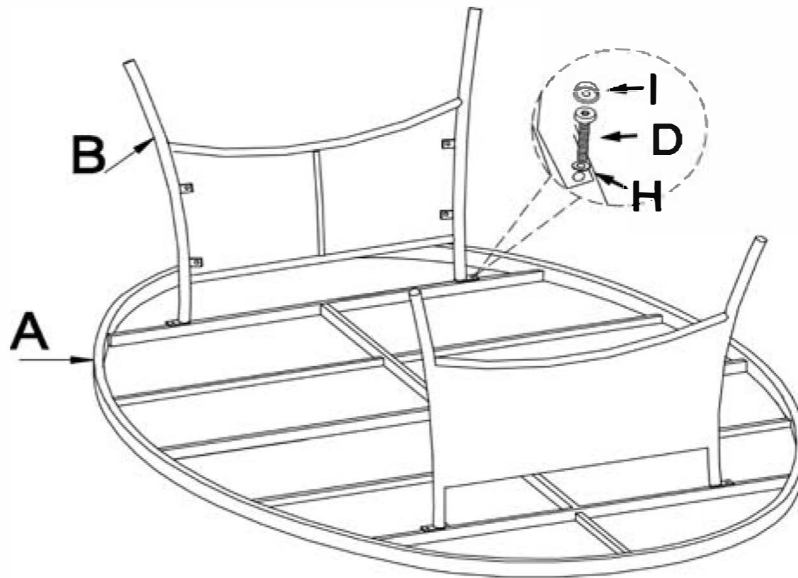
LEISURE

Assembly Instruction

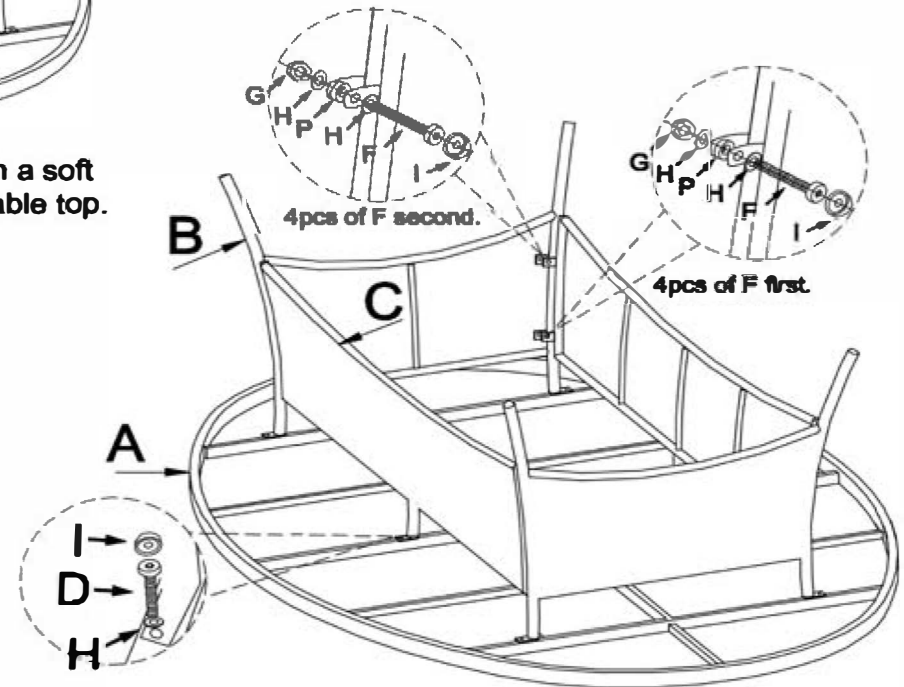
General Oval Table with Lazy Susan

Part List:

NO.	Picture	Name	Qty
A		Table Top	1PC
B		Leg Panel	2PCS
C		Side Panel	2PCS
D		Bolt M6x20	6PCS
F		Bolt M6x30	8PCS
G		Nut	8PCS
H		Metal Washer	22PCS
I		Plastic cap	14PCS
J		Glass	1PC
K		Lazy Susan	1PC
L		Glass	1PC
M		Reducer Plug	1PC
N		Allen Key	1PC
O		Hex Wrench	1PC
P		Plastic Washer	8PCS



Step 1. The table top is placed facing down on a soft surface, Attached the legs panel (x 2) to the table top.



Step 2. Attached the Side Panels to the leg panels.

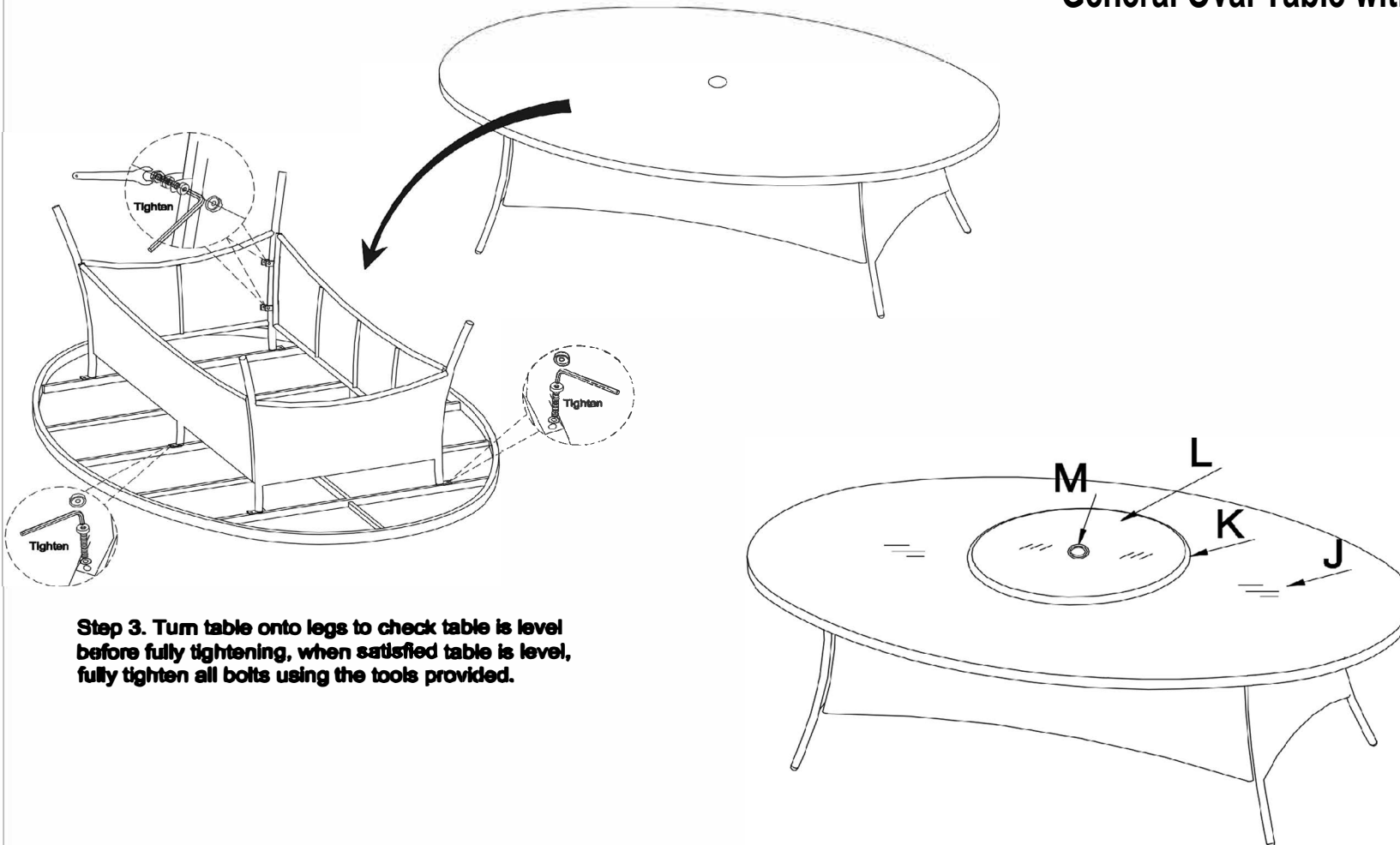


supremo®

LEISURE

Assembly Instruction

General Oval Table with Lazy Susan



Step 3. Turn table onto legs to check table is level before fully tightening, when satisfied table is level, fully tighten all bolts using the tools provided.

Step 4. Finally place the glass plate onto the table top, Place the lazy Susan onto the table lining up the holes for the parasol, slide the parasol protector ring through the centre holes of the table and attach the back nut from the underside of the table. Do not over tighten as this will prevent the Lazy Susan from turning.