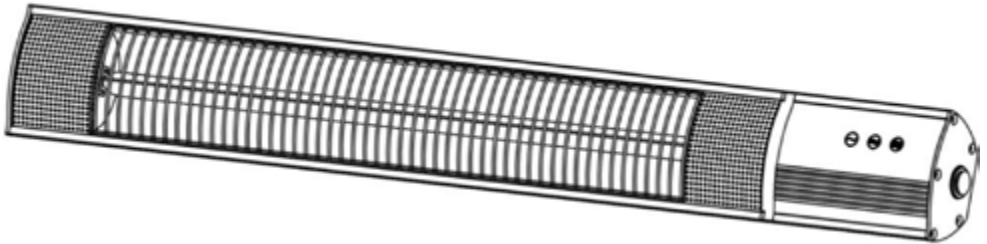


# KALOS

ADDING WARMTH TO OUTDOOR LIVING

## Ibiza Wall Mounted Electric Heater

KLEH163-0600C



### IMPORTANT

PLEASE KEEP THIS BOOKLET FOR FUTURE REFERENCE.  
THIS IS IMPORTANT INFORMATION REGARDING THE USE AND  
CARE OF YOUR HALOGEN HEATER.







ASSEMBLY  
TIME



PERSONS  
REQUIRED

# Important Information

-  Unpack the halogen heater making sure that all the items are present and that there are no components left in the box and that the heater head is free from any packing material.
-  Using the detailed drawing follow the steps to assemble your halogen heater.
-  **DO NOT** connect the halogen heater to the electrical supply until all the assembly is complete.
-  **DO NOT** connect the halogen heater to the electrical supply if any of the components or the power cord is damaged in any way.

If in doubt contact your supplier.

## Important advice before you begin:

This appliance is not intended for use by persons (including children) with reduced physical, sensory or mental capabilities or lack of experience and knowledge if they have been given supervision or instruction concerning use of the appliance in a safe way and understand the hazards involved.

Children should not play with the appliance.

Cleaning and user maintenance should not be made by children without supervision.

Do not use any other tools other than those recommended to build this product.

Please do not use substitute parts. Use only additional or replacement parts supplied by Kettler.

In the unlikely event that this product has missing or damaged parts, please visit our website [www.kettler.co.uk/shop](http://www.kettler.co.uk/shop).

# For Your Safety

## Warning

- This heater is not equipped with a device to control the room temperature. **DO NOT** use this heater in small rooms when they are occupied by persons not capable of leaving the room on their own, unless constant supervision is provided.
- Children of less than 3 years should be kept away unless continuously supervised.
- Children under 8 years shall not plug in, regulate and clean the appliance or perform user maintenance

## Caution

- Some parts of this product can become very hot and cause burns. Particular attention has to be given where children and vulnerable people are present.
- Only use the heater on a firm solid horizontal area where all the feet on the base are in contact with the floor. (Should the heater be tilted or fall over the auto cut off switch will activate)



1. Site the heater outside or in a large open area and well away from any obstructions such as branches or where the heater is near any objects that can be effected by heat, such as furniture, curtains or other inflammable objects (minimum distance 1 metre).
2. **DO NOT** use this heater in the immediate surroundings of a bath, a shower or a swimming pool. Do not use near water.
3. **DO NOT** use in unventilated areas
4. **DO NOT** use where gas, petrol, paint or other surely flammable goods are stored.
5. **DO NOT** push any items through, obstruct or cover the grill of the heater head.
6. **DO NOT** position immediately above or below an electrical socket.
7. **DO NOT** move when connected to an electrical supply and always wait for the patio heater to cool down before storing away.
8. **DO NOT** touch the heater when in use.
9. **DO NOT** leave turned on and unattended especially when children and or animals are in the vicinity.
10. The indication of the different positions of switches shall be visible from a distance of 1M.
11. The Marking concerning covering should be visible after the heater has been installed. It shall not be placed on the back of portable heaters.

# For Your Safety

12. The unit must be placed with the clearance of 180cm to the floor and 30cm to the ceiling.
13. The unit must be correctly installed according to the instructions.
14. The unit must be securely placed on a horizontal and flat surface.
15. The unit is at high temperature during operation. It keeps hot for a period after shut down. Potential danger would occur when touching it during this period. Unplug the unit and wait till it cools before cleaning.
16. **DON'T** place the unit close to curtain and/or other flammable objects. Otherwise there will be a danger of catching fire.
17. **DON'T** cover the unit with anything during operation or a short time after it's shut down.
18. **DON'T** wrap the power supply cord on the unit.
19. The unit must be handled with care, and avoid vibration or hitting.
20. The unit must be securely grounded during operation.
21. If the unit gets damaged, it must be repaired by professional electricians with relevant qualifications.
22. When the power supply cord is damaged, it must be replaced by a qualified engineer to avoid danger.
23. **DON'T** use this unit in place where causticity or volatile air exists, i.e. dust, steam, gas, etc.
24. **DON'T** use this unit as a cloth drier or towel drier.
25. **DON'T** use this unit as a sauna heater.
26. **DON'T** use this unit as a room heater.
27. **DON'T** use this unit in place of animal propagating and raising.
28. **DON'T** immerse this unit into water for cleaning.
29. The unit should be plugged in a socket, which is easily visible and reachable.
30. **DON'T** use this heater with a programmer, timer or any other device that switches the heater on automatically, since a fire risk exists if the heater is covered or positioned incorrectly.
31. Children should be supervised to ensure that they do not play with the appliance.
32. When assembling, keep clear from any board or flammable material.
33. **DO NOT** insert or allow foreign objects to enter any ventilation or exhaust opening as this may cause an electric shock or fire, or damage the heater.
34. Use only for intended household use as described in this manual. Any other use not recommended by the manufacturer may cause fire, electric shock, or injury to persons. The use of attachments not recommended or sold by unauthorized dealers may cause hazards.
35. Always use on a dry, level surface. Use on ceiling only.

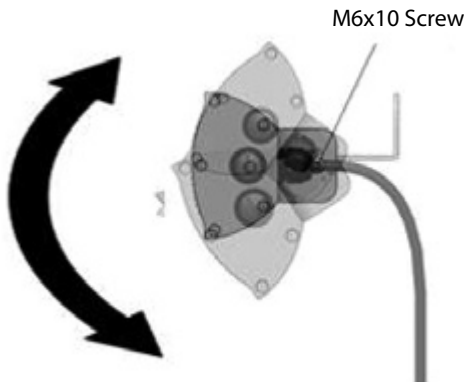
# Installation

Ibiza Wall Mounted Heater is built with the best quality components in accordance to the prevailing legal regulations and certified for safety in use. For best results from the appliance please ensure that the installation is done by a qualified electrician in accordance with the following instructions and taking full account of current regulations. When using the heater, please carefully follow the instructions and recommendations below.

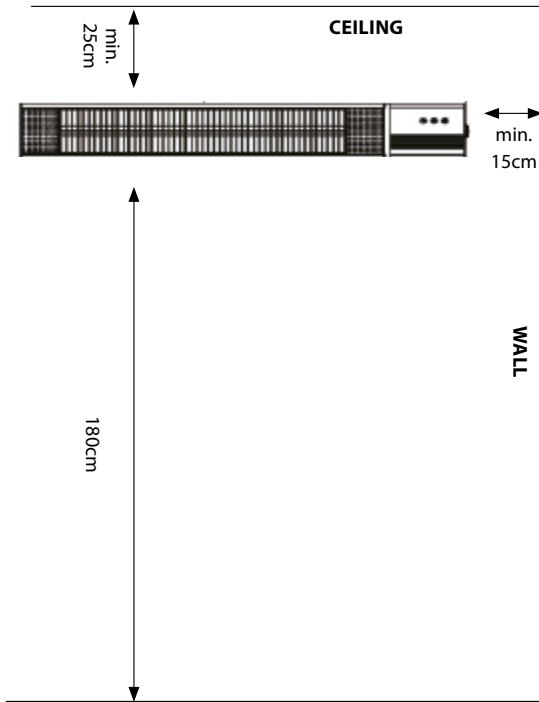
- You could loosen the two M6\*10 screws by the 'L' hexagonal wrench to change the best Angle of heating. Then retighten them.

## Installation to Wall

- When fixing the heater to a wall, ensure hinges are in the underside so that the lid hands down in the open position.
- Minimum required distances:
  - a) 150mm from the side wall
  - b) 250mm from the ceiling
  - c) Installation height above 1.8M



# Installation



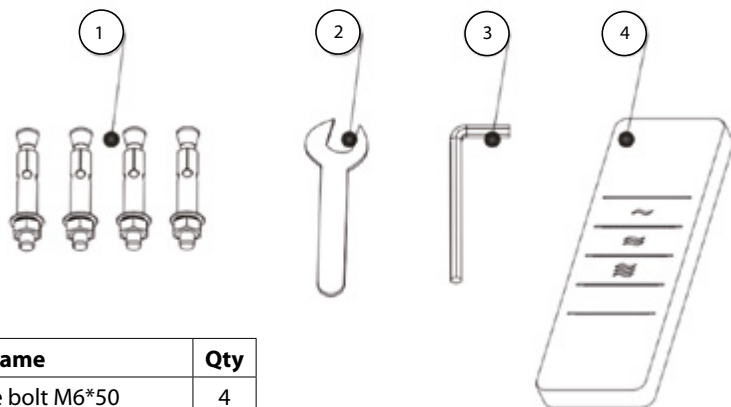
- The heater must be fixed to a wall with the bracket supplied to allow adequate ventilation.
- Never fix or place heater near flammable or combustible materials.
- Generally heaters must be placed at a safe distance (clear space) of at least 2.0m from combustible materials and glass walls. If installed in workshops or garages where inflammable or combustible paints are used, the heaters must be installed at a distance of at least 4.0m from the source of danger.
- If the heaters are placed in areas where spray painting of any description is taking place, they should not be used during the painting operations.
- Never use the heater in particularly dusty and explosive areas.

## Connection to 220-240 Volts Power Supply

- It is important to ensure that the electricity supply is of adequate capacity for the electrical load required by the appliance being installed.
- These appliances must be earthed.

# Assembly to Wall

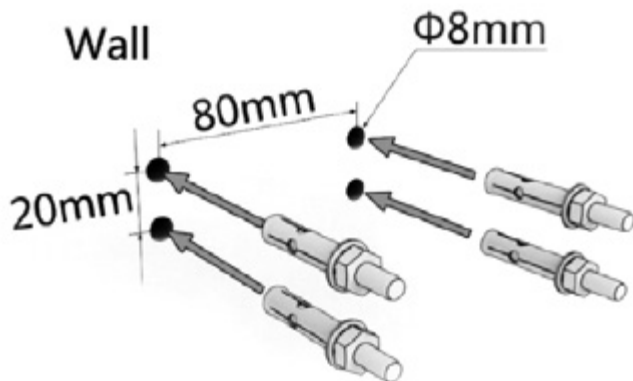
## Parts



Ref	Name	Qty
1	Explosive bolt M6*50	4
2	M6 spanner	1
3	'L' hexagonal wrench(4mm)	1
4	Remote control	1

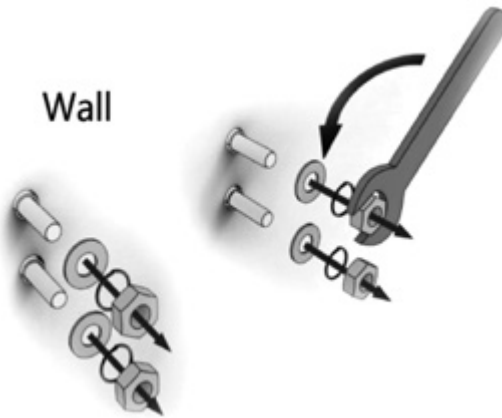
# 1

- **Step 1:** put 4 Explosive bolt M6\*50 into the wall.



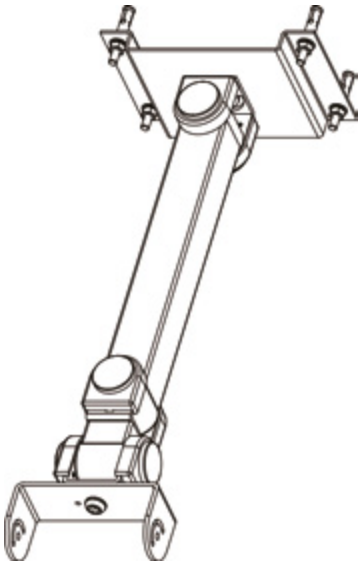
# Assembly to Wall

2



- **Step 2:** Take off the nuts, the spring locks washers and the plain washers from four explosive bolts. Keep them for the next step.

3

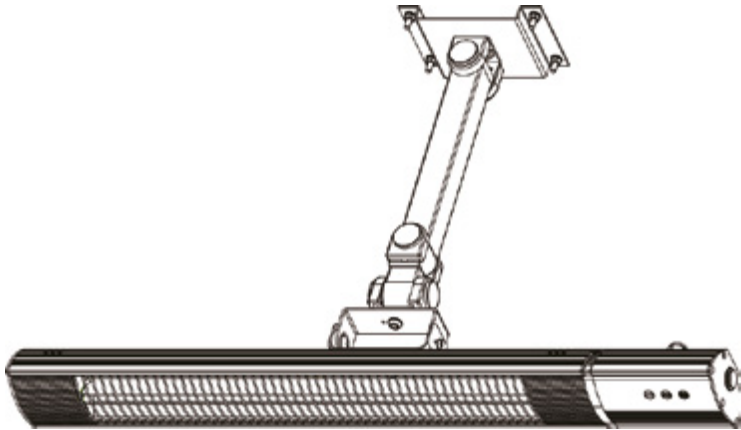


- **Step 3:** Install the heater on the wall



# Assembly to Wall

**4**



**Finished**

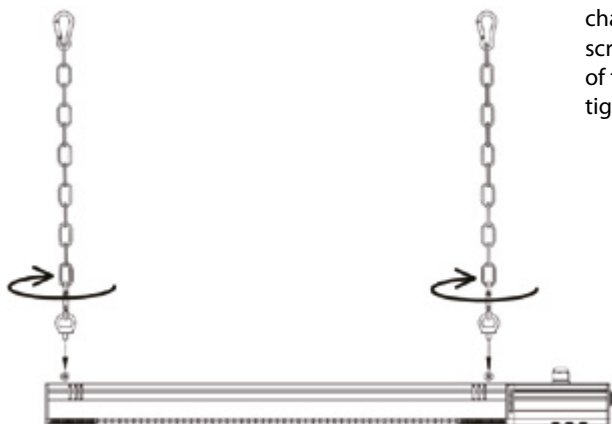
# Assembly to Ceiling

## Parts



Name	Qty
Changing Chain Components	2

1

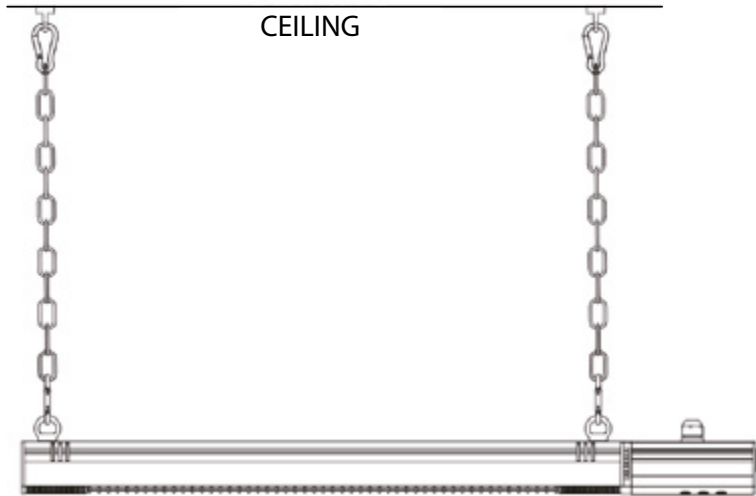


- **Step 1:** Install the lifting ring screw on the lifting chain component into 2 screw holes on the back of the product and twist tightly.

# Assembly to Ceiling

2

- **Step 1:** Hang the product from a secure ceiling.



**Finished**

# Operation Instructions

Connect the power cable to a 13 amp supply which is located in a safe, dry area.

The switch on the heater is used to control the Heater. When the position mean on the ☹️, the standby light will be turn orange, the heater will be in standby mode. The ☺️ position will turn off the Heater.

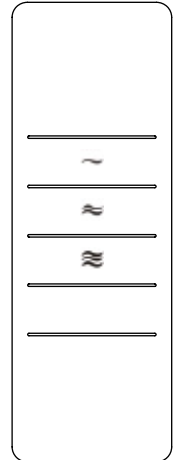


## The Panel Control

- Touch the ~ for low heat, touch it again to turn the heater off.
- Touch the ≈ for medium heat, touch it again to turn the heater off.
- Touch the ≡ for high heat, touch it again to turn the heater off.

## Remote Control

- Touch the ~,This heating tube is of low grade; touch it again, close the heater.
- Touch the ≈. The heating tube is in the middle range;touch it again, close the heater.
- Touch the ≡,This heating tube is of high grade;touch it again, close the heater.
- Although the patio heater is waterproof, do not use when raining or in wet conditions.
- Never connect the power cable from the electrical supply, when the patio heater is not in use.



# Operation Instructions

## Trouble Shooting

If the heater will not operate, please check the following before seeking repair of service:

- Check if the power cord is plugged into an electrical outlet, if not plug in.
- Check if electricity to the main fuse is working.
- Make certain the power switches are turned on. If not, choose a setting.

## Technical specification

- Power supply 220V-240V 50Hz
- Wattage max 2000W
- Insulation class I
- Width 10cm; Length:81.8cm



**WEEE:** This product contains recyclable materials. Do not dispose this product as unsorted municipal waste. Please contact your local municipality for the nearest collection point.

# Maintenance and Care Instructions

- Unplug the unit and let it cool completely.
- When disconnected from the electrical supply, clean the outside of the patio heater with a damp cloth. Never use corrosive or solvent cleaners or immerse in water.
- Any maintenance or repairs including replacing the halogen tube should only be carried out by a qualified electrician or by a recommended service center.

## Storage

- If the heater will not be used for a long period of time, store it in a cool, dry location when not in use. To prevent dust and dirt build-up, use the original packaging to repack the unit.

# KETTLER



[www.kettler.co.uk](http://www.kettler.co.uk)



## Warranty For Home Use

This product is covered by a 12 month warranty against manufacturing faults. This warranty applies to domestic use only. It does not cover commercial use, mis-use or accidental damage.

To validate your warranty, register at [www.kettler.co.uk](http://www.kettler.co.uk) and quote the product code from the front of this booklet.