

KALOS

ADDING WARMTH TO OUTDOOR LIVING

Universal Electric Lantern Heater – 50cm

KLEH121-0300



IMPORTANT

PLEASE KEEP THIS BOOKLET FOR FUTURE REFERENCE.
THIS IS IMPORTANT INFORMATION REGARDING THE USE AND
CARE OF YOUR HALOGEN HEATER.

Important Information

- ⚠️ Unpack the halogen heater making sure that all the items are present and that there are no components left in the box and that the heater head is free from any packing material.
- ⚠️ Using the detailed drawing follow the steps to assemble your halogen heater.
- ⚠️ **DO NOT** connect the halogen heater to the electrical supply until all the assembly is complete.
- ⚠️ **DO NOT** connect the halogen heater to the electrical supply if any of the components or the power cord is damaged in any way.

If in doubt contact your supplier.

Important advice before you begin:

This appliance is not intended for use by persons (including children) with reduced physical, sensory or mental capabilities or lack of experience and knowledge if they have been given supervision or instruction concerning use of the appliance in a safe way and understand the hazards involved.

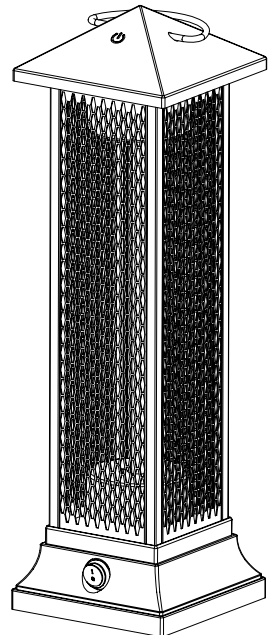
Children should not play with the appliance.

Cleaning and user maintenance should not be made by children without supervision.

Do not use any other tools other than those recommended to build this product.

Please do not use substitute parts. Use only additional or replacement parts supplied by Kettler.

In the unlikely event that this product has missing or damaged parts, please visit our website www.kettler.co.uk/shop.



For Your Safety

Warning

- This heater is not equipped with a device to control the room temperature. **DO NOT** use this heater in small rooms when they are occupied by persons not capable of leaving the room on their own, unless constant supervision is provided.
- Children of less than 3 years should be kept away unless continuously supervised.
- Children aged from 3 years and less than 8 years shall not plug in, regulate and clean the appliance or perform user maintenance.



Caution

- Some parts of this product can become very hot and cause burns. Particular attention has to be given where children and vulnerable people are present.
- If the supply cord is damaged, it must be replaced by the manufacturer, its service agent or similarly qualified person in order to avoid a hazard.
- The heater must not be located immediately below an electrical socket-outlet.
- Don't use this heater in the immediate surroundings of a bath, a shower or a swimming pool.
- In order to avoid a hazard due to inadvertent resetting of the thermal cut-out, this appliance must not be supplied through an external switching device, such as a timer or connected to a circuit that is regularly switched on and off by utility.
- Only use the halogen heater on a firm solid horizontal area where all the feet on the base are in contact with the floor. (Should the heater be tilted or fall over the auto cut off switch will activate)



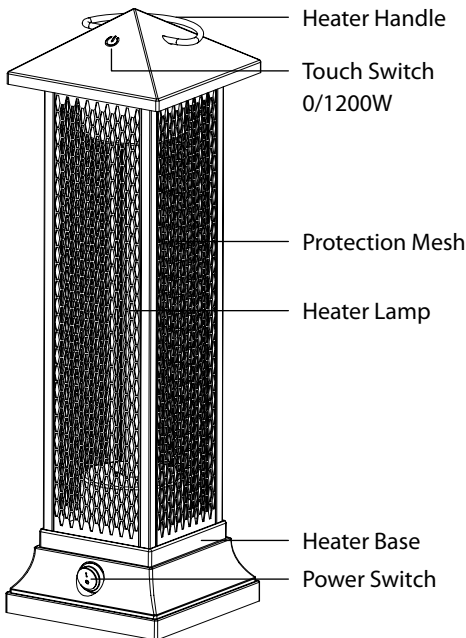
1. Site the heater outside or in a large open area and well away from any obstructions such as branches or where the heater is near any objects that can be effected by heat, such as furniture, curtains or other inflammable objects (minimum distance 1 metre).
2. **DO NOT** use near bath tubs, wash areas or swimming pools. Do not use near water.
3. **DO NOT** use in unventilated areas.
4. **DO NOT** use where gas, petrol, paint or other flammable goods are stored.

For Your Safety

- DO NOT** push any items through, obstruct or cover the grill of the heater head.
- DO NOT** position immediately above or below an electrical socket.
- DO NOT** move when connected to an electrical supply and always wait for the patio heater to cool down before storing away.
- DO NOT** touch the heater head when in use.
- DO NOT** leave turned on and unattended especially when children and or animals are in the vicinity.
- The indication of the different positions of switches shall be visible from a distance of 1m.
- The marking concerning covering should be visible after the heater has been installed. It should not be placed on the back of portable heaters.
- The unit must be placed with the clearance of 100cm to the wall.
- The unit must be correctly installed according to the instructions.
- The unit must be securely placed on a horizontal and flat surface.
- The unit is at high temperature during operation. It keeps hot for a period after shut down. Potential danger would occur when touching it during this period.
- DON'T** place the unit close to curtain and/or other flammable objects. Otherwise there will be a danger of catching fire.
- DON'T** cover the unit with anything during operation or a short time after it's shut down.
- DON'T** wrap the power supply cord on the unit.
- The unit must be handled with care, and avoid vibration or hitting.
- The unit must be securely grounded during operation.
- If the unit gets damaged, it must be repaired by professional electricians with relevant qualifications.
- When the power supply cord is damaged, it must be replaced by a qualified engineer to avoid danger.
- The unit is for household use only. It is not safe to use on a building site, greenhouse, barn or stable where there's flammable dust.
- The head of the unit is at high temperature during operation. Unplug the unit and wait till it cools before cleaning.
- Don't use this unit in place where causticity or volatile air exists, i.e. dust, steam, gas, etc.
- DON'T** use this unit as a cloth drier or towel drier.
- DON'T** use this unit as a sauna heater.
- DON'T** use this unit as a room heater.
- DON'T** use this unit in place of animal propagating and raising.
- DON'T** immerse this unit into water for cleaning.

For Your Safety & Technical Specification

31. The unit should be plugged in a socket, which is easily visible and reachable.
32. One dark point may exist on the surface of the heating elements during the first few minutes after it is turned on. This is normal, and will not affect the performance of the unit.
33. The heater must not be located immediately below a socket-outlet.
34. **WARNING!** In order to avoid overheating, do not cover the heater.
35. **DO NOT** use this heater with a programmer, timer, separate remote-control system or any other device that switches the heater on automatically, since a fire risk exist if the heater is covered or positioned incorrectly.
36. **DO NOT COVER!** Don't cover the unit with anything during operation or a short time after it's shut down.
37. **DO NOT** use the heater with a programmer, timer or any other device that switches the heater on automatically.



This warning symbol indicates that the surface is hot and caution is required.

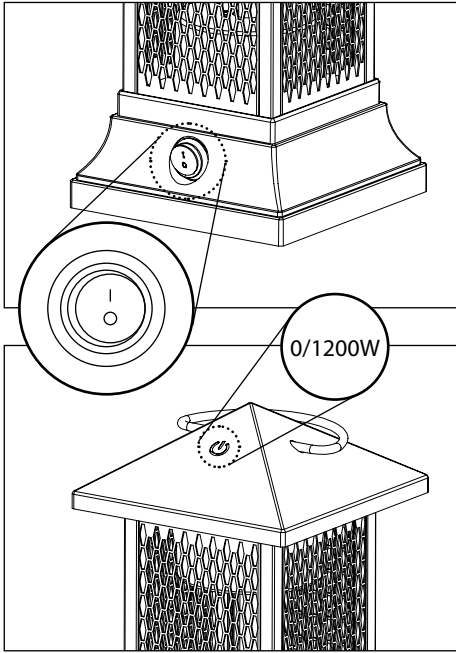


This warning symbol indicates that the heater should not be covered.

Technical Specification

- Power supply 220-240V~ 50Hz
- Wattage 1200W
- Insulation class I

Operation Instructions



- Connect the power cable to a 13 amp supply that is located in a safe, dry area.
- Press the power switch on the heater when the plug had been connected.
- Press the touch switch one time to operate the heater on 1200W.
- Press the touch switch second time for off.
- Although the patio heater is shower resistant, do not use when raining or in wet conditions.
- Always disconnect the power cable from the electrical supply, when the patio heater is not in use.

Trouble Shooting

If the heater will not operate, please check the following before seeking repair of service:

- Check if the power cord is plugged into an electrical outlet, if not plug in.
- Check if electricity to the main fuse is working.
- Make certain the power switches are turned on. If not, choose a setting.



WEEE: This symbol on the product or in the instructions means that your electrical and electronic equipment should be disposed at the end of its life separately from your household waste. There are separate collection systems for recycling in the EU. For more information please contact the local authority or your retailer where you purchased the product.

Maintenance and Care Instructions

- When disconnected from the electrical supply, clean the outside of the patio heater with a damp cloth. Never use corrosive or solvent cleaners or immerse in water.
- Any maintenance or repairs including replacing the halogen tube should only be carried out by a qualified electrician or by a recommended service center.
- Check all components regularly for correct function, damage and loose connections especially at the start of the season and at 1-2 month intervals dependent on use.
- Damaged components may endanger your safety or shorten the life of the product. Replace all damaged parts immediately. Use only spare parts manufactured by Kettler. Should you wish to purchase spare parts, they can be ordered directly from: **www.kettler.co.uk/shop**
- Kettler will not be responsible for damaged caused by improper use.

Storage

- If the heater will not be used for a long period of time, store it in a cool, dry location when not in use. To prevent dust and dirt build-up, use the original packaging to repack the unit.

KETTLER



www.kettler.co.uk



Warranty For Home Use

This product is covered by a 12 month warranty against manufacturing faults. This warranty applies to domestic use only. It does not cover commercial use, mis-use or accidental damage.

To validate your warranty, register at **www.kettler.co.uk** and quote the product code from the front of this booklet.